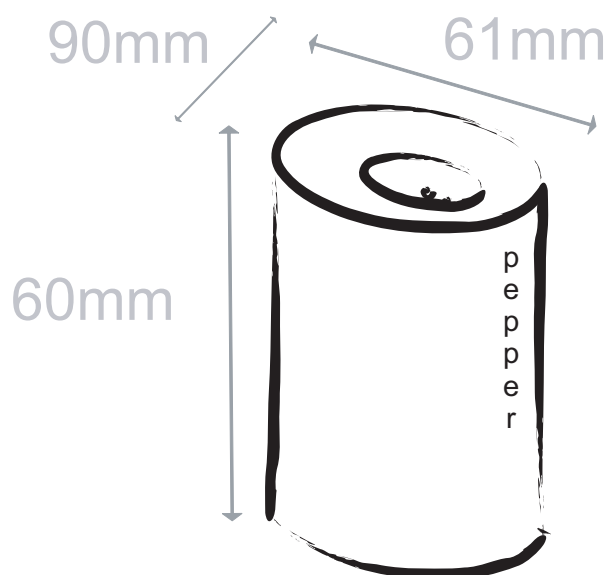
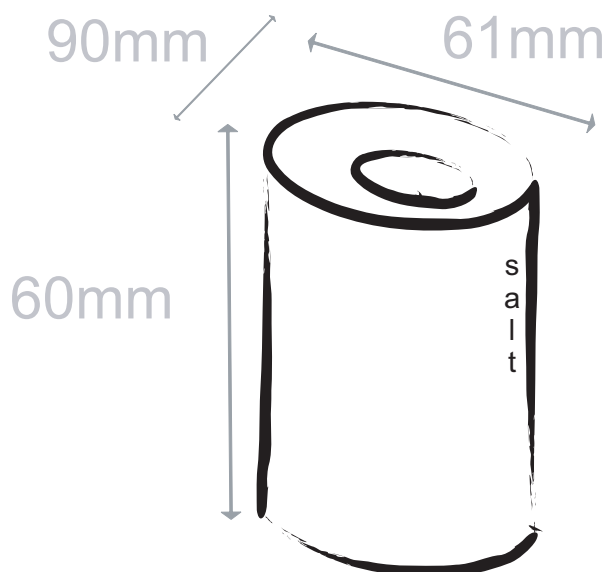


# SALT AND PEPPER SHAKERS



Wade Ceramics Limited, Royal Victoria Pottery, Hilltop Works,  
Westport Road, Burslem, Stoke-on-Trent ST6 4AG  
Tel: 00 44 1782 577 321 Fax: 00 44 1782 575 195  
Email: [info@wade.co.uk](mailto:info@wade.co.uk)

**OVATION**  
CONTEMPORARY KITCHENWARE BY WADE